



Advanced Battery & Charger Solutions

Technical Datasheet

Part No. U80507

Standard 4S1P 18650 Battery • 14.4V/3350mAh



Electrical Characteristics

Pack Configuration:	4S1P
Pack Capacity:	3350mAh (Typical)
Pack Voltage:	14.4V (10.0V to 16.8V)
Max Continuous Discharge:	4.87A @ 0°C to +40°C
Peak Discharge Current:	8.3A < 9ms
Max Charge* Voltage:	16.8V ± 1%
Max Charge* Current:	1625mA
Initial Internal Impedance:	<450mΩ
Communications:	SMBus v1.1 compliant
Cell Chemistry:	NMC Lithium Ion

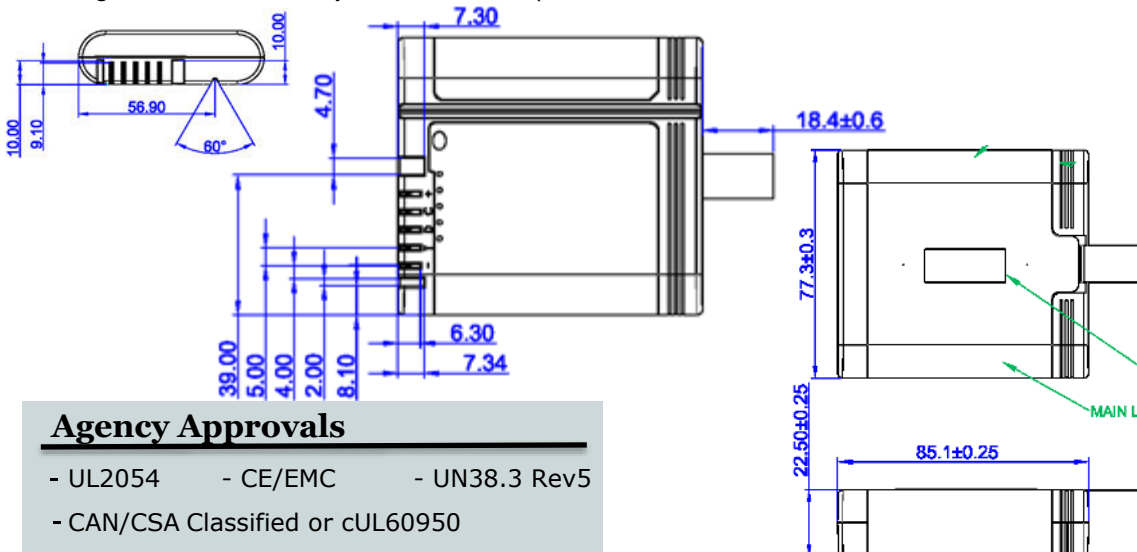


Temperature Characteristics

Charge:	0°C to +45°C
Discharge:	-20°C to +60°C
Storage:	-20°C to +60°C (<45°C recommended)

Physical Characteristics

Dimensions:	22.75 x 77.6 x 85.35mm (T x W x L)
Weight:	~250g
Enclosure Material:	PC/ABS Bayer FR3010, meets UL94 V-0 (1.5mm) standard
Mating Connector:	Tyco 787444-1 or equivalent; Pin-outs: +, C, D, T, -



Agency Approvals

- UL2054 - CE/EMC - UN38.3 Rev5
- CAN/CSA Classified or cUL60950



*Please contact us to discuss charging solutions. Totex offers both off-the-shelf and custom chargers